

## CENTRE CUT

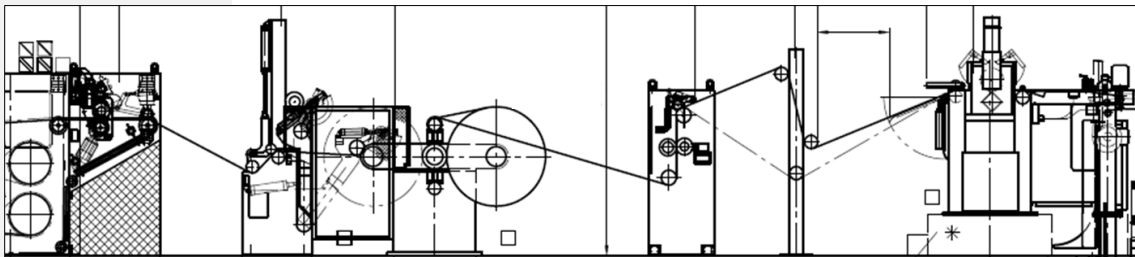
---

- Double your Output!
- Reduction of operation costs at steady production quantity



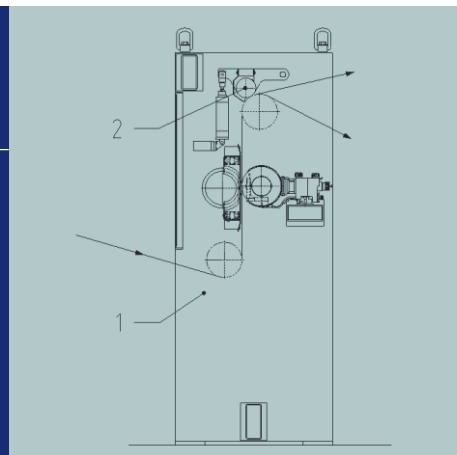
## ADVANTAGES

- Double production (also at reduced production speed)
- Solutions for productions to small rolls and for small sheets
- Production speeds – according to paper grade – of up to 150 m/min possible
- Reduction of material costs (possibly favourable paper purchase by using the production widths of the paper manufacturer)



## FEATURES

- Low investment cost for new plants
- High return on investment
- Individual construction (tailored to customer requirements)
- Precise cutting quality for straight edges
- Easy handling
- Dust-reduced cutting
- No fluttering of paper webs
- Special stacking table for sheet production



Vits Technology GmbH  
 Winkelsweg 172  
 40764 Langenfeld  
 Deutschland / Germany  
 Tel.: +49 (0) 2173 798-0  
 Fax: +49 (0) 2173 798-520  
 info@vits.de  
 www.vits.de