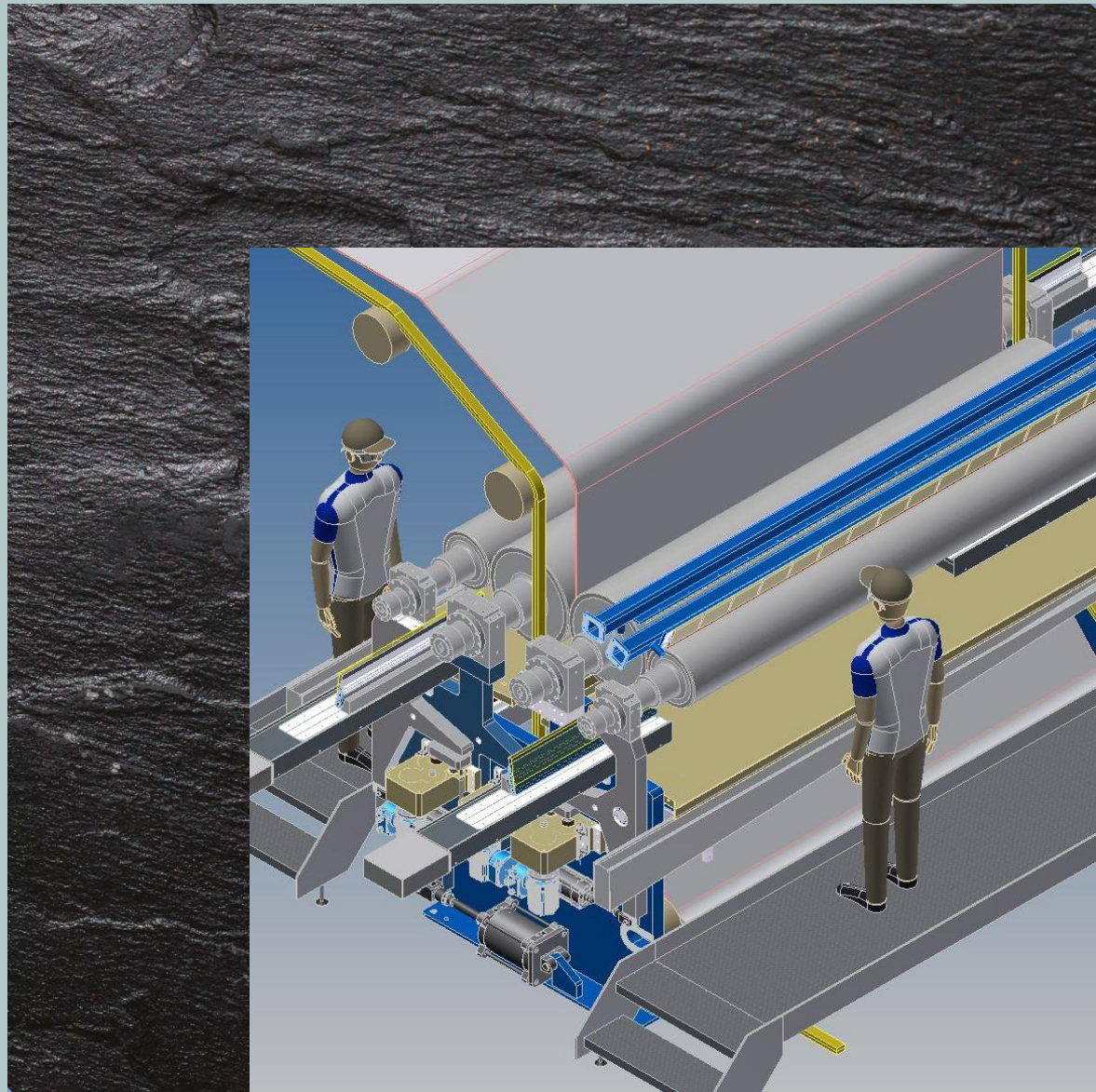


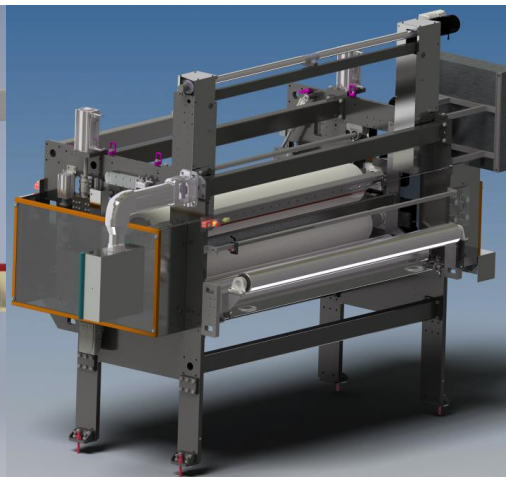
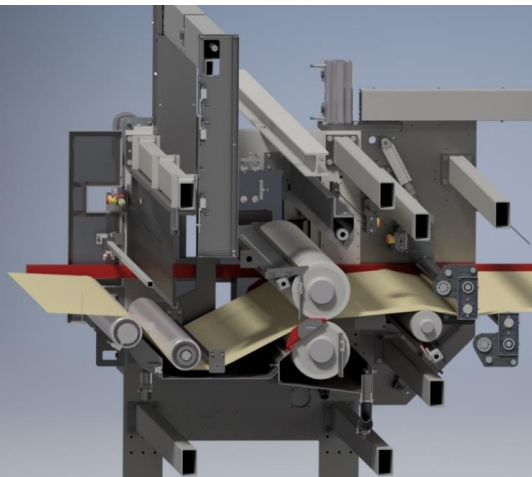
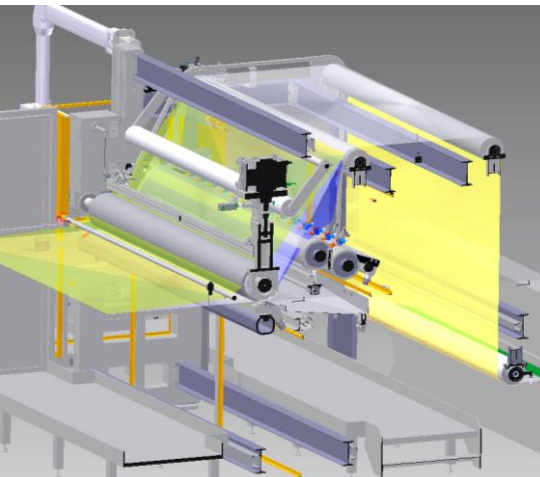
EXCELLENCE IN COATING

- Lacquering lines with convection, UV or EB-drying and lacquering devices
- Precise applications for all web surfaces
- High production speeds up to 400 m/min (according to substrate)
- One-sided or double-sided application in one passage
- Automatic web feeding
- Combinations of different application systems



COATING SOLUTIONS FOR LIQUID AND HIGH-VISCOUS MEDIA

- **The 4-roll coater** presses and/or applies a precisely pre-metered resin quantity into and/or onto the substrate by means of metering and application rolls. The advantage compared to other saturation devices is a defined resin supply at high outputs and therefore it is often used for kraft- and filter papers with phenolic resins
- **Coating systems** with roll application (reverse-roll, directly or metered) and wire-bar metering as well as system combinations, mostly for the precise lacquer and adhesives application, with high flexibility in layer thickness and viscosity of the media
- **VITS PRIMUS® Coater:** the surfaces of a core-impregnated and almost dry web are coated with melamine resin in a second stage. To guarantee a smooth surface coverage, the web is dipped into a resin bath. The application is then adjusted by a highly accurate metering roll system.



4-Roll-Coater

- Different resin types per side possible at the same time
- Ex-protected design
- Tempered rolls
- Automatic gap adjustment
- Adjustable contact area in the gap
- Space-saving structural form

Streich-Systeme

- Pre-coating with/without pre-metering
- Wire doctor for even and precisely metered application
- Quick change system for wire doctor and sleeve roll
- Easy to clean and maintain
- Simple handling

PRIMUS®-Coater

- Increased gloss level by 100% covered surfaces
- Improved surface quality by avoidance of pinholes (lower residual moisture in the core)
- Potential resin savings
- Less wear when using fine corundum or other aggressive media due to ceramic-coated metering rolls